





perù



perù



4 legs

swivel

bench

perù showing



tools



brochure



Una sedia dal **design minimal**, ma **molto robusta**, con la scocca disponibile in tre colori neutri.

Particolarmente leggera e facile da movimentare, grazie a una pratica maniglia posta sulla parte posteriore.

È inoltre **impilabile** e facile da pulire, con il piccolo foro sulla seduta; si adatta a **ogni ambiente**.

*A chair with a **minimal but very robust design**, with seat shell available in three neutral colours.*

Particularly lightweight and easy to handle, thanks to a practical handle located on the back.

*It is also **stackable** and easy to clean, featuring a small hole on the seat; adapts to **any environment**.*

perù

4-legs

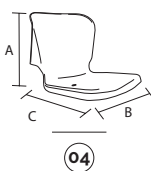
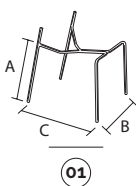


plastic colours

- nero/black
- bianco/white 218
- grigio/grey ral7004

01 02 03 04 05

main component sizes



01 perù-telaio 4 gambe senza tappi
perù-4 legs frames without caps

code	finishing	q.kit	q.pack	a	b	c	kg.x1	vol.x1
110103-185	● nero/black	x1	80	480	440	610	2.0	mc. 0,017
110104-185	● grigio/grey ig2621	x1	80	480	440	610	2.0	mc. 0,017

02 tizo-puntale tondo d.20 nero
tizo-inner black cap d.20

code	finishing	q.kit
134203-200	● nero/black	x2

03 confezione puntali tondi d.18 neri
black inner round caps d.18 package

code	finishing	q.kit	q.pack
137003-072	● nero/black	x2	200

04 perù-scocca intera modello perù
perù-plastic shell model perù

code	finishing	q.kit	q.pack	a	b	c	kg.x1	vol.x1
133903-055	● nero/black	x1	100	395	440	560	1.63	mc. 0,02

05 vite autoforante tc+ c/flangia 4,2x13 zincata
self-drilling screw tc+ with flange 4,2x13 zinc

code	finishing	q.kit
117811-129	○ zincata/zinc	x4



for all colour codes, see page 151

perù

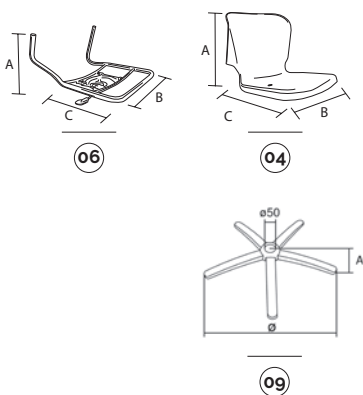
swivel



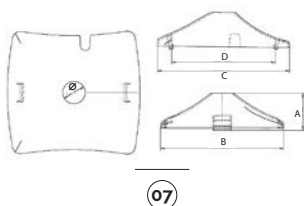
plastic colours

- nero/black
- bianco/white 218
- grigio/grey rat7004

main component sizes



optional



06 perù-supporto girevole a gas con accessori per scocca perù perù-swivel frame with accessory for perù shell

code	finishing	q.kit	q.pack	a	b	c	kg.x1	vol.x1
110903-073	● nero/black	x1	100	430	365	280	2,70	mc. 0,01
110904-073	● grigio/grey ig2621	x1	100	430	365	280	2,70	mc. 0,01

04 perù-scocca intera modello perù perù-plastic shell model perù

code	finishing	q.kit	q.pack	a	b	c	kg.x1	vol.x1
133903-055	● nero/black	x1	100	395	440	560	1,63	mc. 0,02

05 vite autoforante tc+ c/flangia 4,2x13 zincata self-drilling screw tc+ with flange 4,2x13 zinc

code	finishing	q.kit
117811-129	○ zincata/zinc	x4

07 cpg-copertina in plastica per telaio girevole cpg-plastic cover for swivel frame

code	finishing	q.kit	q.pack	a	b	c	d	ø	kg.x1	vol.x1
130903-000	● nero/black	x1	50	60	200	210	167	36	0,1	mc. 0,0015

09 b40 base in metallo d.640 con coprisaldatura b40 metal base d.640 with cover welding

code	finishing	q.kit	q.pack	a	ø	kg.x1	vol.x1
110210-027	● cromato/chrome	x1	5	60	640	2,85	mc. 0,014

CPG
plastic cover for swivel frame



for all colour codes, see page 151

perù

bench

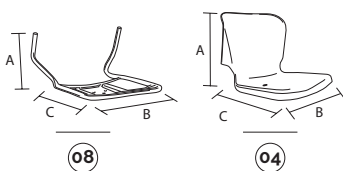


plastic colours

- nero/black
- bianco/white 218
- grigio/grey ral7004

08 04 05

main component sizes



08 perù-supporto per attacco scocca perù su panca
perù-bench frame for perù shell

code	finishing	q.kit	q.pack	a	b	c	kg.x1	vol.x1
110703-114	● nero/black	x1	100	430	365	230	2,65	mc. 0,01

04 perù-scocca intera modello perù
perù-plastic shell model perù

code	finishing	q.kit	q.pack	a	b	c	kg.x1	vol.x1
133903-055	● nero/black	x1	100	395	440	560	1,63	mc. 0,02

05 vite autoforante tc+ c/ flangia 4,2x13 zincata
self-drilling screw tc+ with flange 4,2x13 zinc

code	finishing	q.kit
117811-129	○ zincata/zinc	x4



for all colour codes, see page 151

for the bench components, see page 201

optionals

OPTIONAL
bench
connector



JIM **NEW**
bench leg

APOLL
bench arm



plastic

90GM
bench leg

90GF
bench leg

100GM
bench leg

200GM
bench leg

PIONEER
bench arm



metal

CUT
bench leg

SLIM
bench leg

CUT
bench arm

SLIM
bench arm



aluminium

perù

optional colour codes



shell colour codes



04 scocca in plastica
plastic shells

- 133903-055 nero/black
- 133904-055 bianco/white 218
- 133905-055 grigio/grey ral7004

